

# Color Zoom A/F CAMERA SK-2172X

## CATEGORY

Zoom Camera with Auto Focus



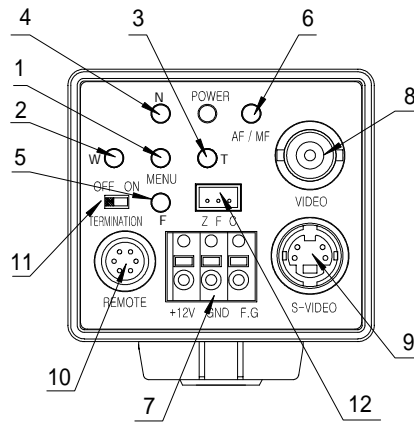
## SPECIFICATION

Image Sensor : 1/4" Interline transfer EX-View CCD (SONY)  
Effective Pixel : 768(H) X 494(V)(NTSC) , 752(H) X 582(V)(PAL)  
Chip Size : 4.47mm(H) X 3.80mm(V)  
Cell Size : 4.75 $\mu$ m(H) X 5.55 $\mu$ m(V)(NTSC) , 4.85 $\mu$ m(H) X 4.65 $\mu$ m(V)(PAL)  
Resolution : HORI. 470/520 TV LINE  
TV Type : NTSC , PAL  
Sync. Type : Internal  
Scanning System : 2:1 Interlace  
Scanning Frequency Horizontal : 15.734 KHz(NTSC) , 15.625 KHz(PAL)  
Scanning Frequency Vertical : 59.94 Hz(NTSC) , 49.95 Hz(PAL)  
Video Output : 1.0 Vp-p  
Gamma Characteristic : 0.45 typ.  
Min. Illumination : 0.5 Lux, F/1.6  
S/N Ratio : 46dB (AGC OFF, fsc trap)  
Gain Control : Automatic  
Shutter Speed : 1/60 ~ 1/100,000 second(NTSC) , 1/50 ~ 1/100,000 second(PAL)  
Power Supply : Regulated DC 12.0V  
Power Consumption : DC Max. 4.8W  
Operation Temp. : -10 ~ 50  
Preservation Temp. : -30 ~ 80  
Connector (Video Out) : BNC connector & Y/C connector

## Function & Lens unit

White Balance : AWB(2,800 K~6,000 K), 3,100W K, 5,100 K, Manual[R, B]  
AGC, MIRROR, SDR : ON/OFF [OSD MENU]  
Serial Communication : YES[RS485, TTL, PTZ]  
SET-KEY Control : TELE, WIDE, NEAR, FAR, MENU, AF/MF  
Brightness, Sharpness : Control (OSD MENU)~  
Focal Length : f=3.6(W) ~ f=79.2(T)mm / F/1.6(W) ~ F/3.7(T)  
OSD MENU : YES  
Digital Zoom : X10  
Optical Zoom : X22  
Angle of view(H) : 47.9 degree(Wide End), 2.3 degree(Tele End)  
Min. Working distance : 10mm (Wide End), 1m (Tele End)

**INTERFACE SPECIFICATION**



**I/O Connector Function**

Usage : Composite video signal out for power input

**Set-KEY Control**

- Menu : Enter key    Wide : Short Distance shooting    Tele : Long distance shooting
- Near : Focusing closer    Far :Focusing farther
- AF/MF : Switching key of auto and manual focus

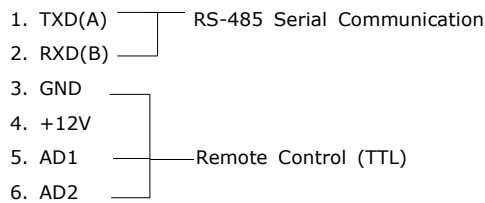
**Pin Array :**

Power Input	+
Ground	-
N.C	No Connector

**Video Signal Output**

- BNC : Video signal output
- S-Video : Supper Video signal output

**Serial communication & Remote Control**



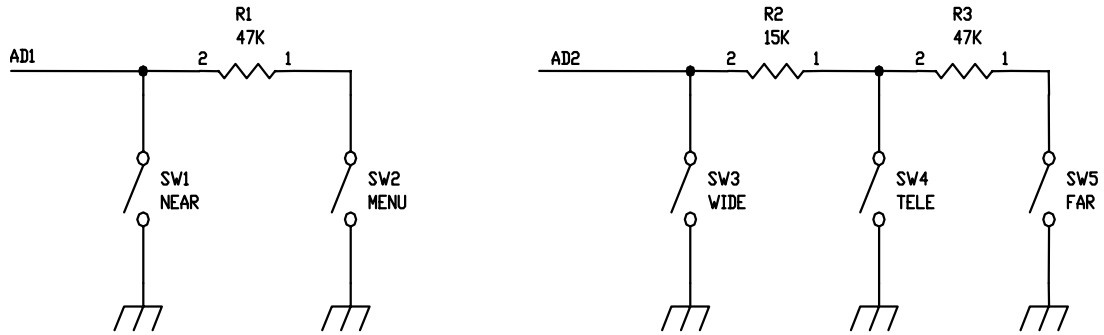
**Termination Switch**

- ON - At one-to-one communication with controller/ end terminal only at multi-communication
- OFF - All Camera except end terminal at multi-communication.

**PTZ Control**

- Z - Zoom signal
- F - Focus signal
- C - Common

**\* AD1, AD2 CIRCUIT**



**DIMENSION**

