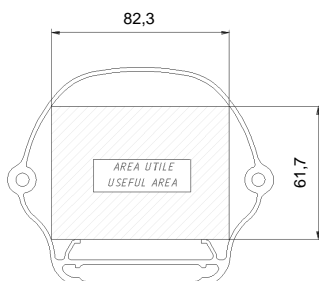




Innovative weatherproof housing for indoor/outdoor installations. Made of extruded aluminium and plastic material, it is provided with an innovative opening system which allows access to the interior; the body and the sunshield slide forward remaining hanged up to the front part of the external sleigh, allowing access to the camera. Its dimensions make it suitable for CCD cameras equipped with fixed lenses. Sturdy construction at a light weight, HEK has two mount options at the same time: regular (WBM) or feed-through (WBOV) bracket, it's just up to the installer choice. Its weatherproof features are ensured by neoprene gaskets and 2 PG9 + 1 PG11 cable glands with their specific gaskets. A wide range of accessories is available, including heater kit, blower kit and camera power supply. It is normally supplied in HEKK version with sunshield and heater kit. A HEKD version, dustproof body only, is also available for indoor installations.

Standard length: 260 / 300 mm
 Weight: 1,7 Kg (HEK26K), 1,9 Kg (HEK30K)
 Recommended mounts:
 WBM, WCM5 and WFWC (external cables).
 WBOV, WCM4 (feed through)



NEW ALUMINIUM-POLYMERIC CONCEPT HOUSING

- Indoor/Outdoor installations
- Coated RAL9002 extruded aluminium body
- Plastic material front/back parts
- Polycarbonate window with special scratch-resistant treatment
- Wide range of accessories available
- Weatherproof Standard IP66 with WBM
- Double mounting option: regular or feed-through brackets
- 2 x PG9, 1 x PG11 removable cable glands

1



NEW PRODUCT



CODE	DESCRIPTION
HEKK	Body + sunshield + heater kit
HEKD	Dustproof body only
OHEKS	Sunshield
OHEH	Thermostatically controlled PTC heater kit
HEKV	Thermostatically controlled blower kit pre-installed
OHEKVF	Thermostatically controlled blower kit on the back cover
OHEPS	Camera power supply
OHEGB	Weatherproof junction box

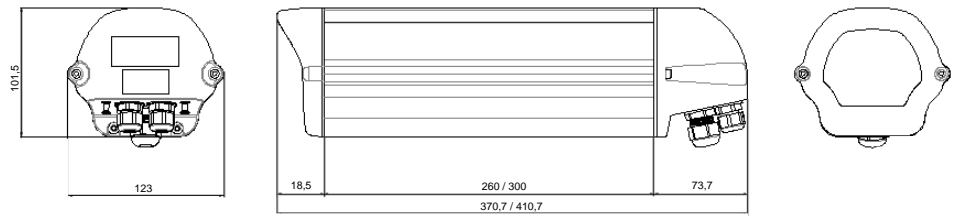
HEKD

Dustproof housing

HEK26D:
L= 260mm

HEK30D:
L= 300mm

- indoor installations



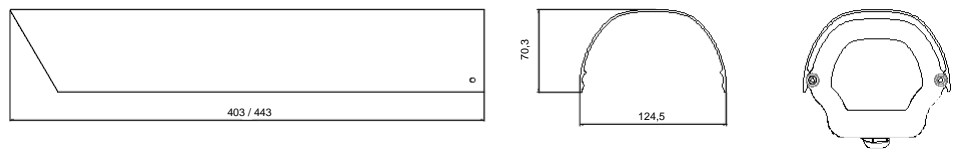
OHEKS

Sunshield

OHEKS26:
L= 403mm
Weight: 0,45 Kg

OHEKS30:
L= 443mm
Weight: 0,5 Kg

- outdoor installations

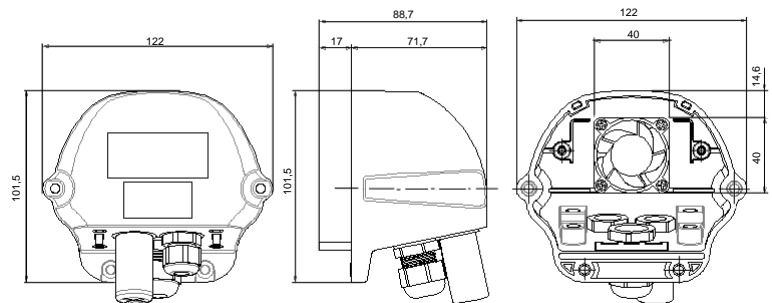


OHEKVF

Thermostated blower

OHEKVF1:
12 V~ 4W
OHEKVF2:
24 V~ 4W
OHEKVF3:
230 V~ 4W

T.on ≥ 35°C ±3°
T.off ≤ 20°C ±3°



OHEPS

Camera power supply

OHEPS10:
230 V~ input
230 V~ heater
12 V~, 350 mA output

OHEPS11:
230 V~ input
230 V~ heater
24 V~, 350 mA output

