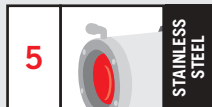


- Designed to operate in high temperature environments
- AISI 316 stainless steel double chamber
- Wide range of accessories available
- Weatherproof standard IP67



NXW+NXFIGRU+NXWBS
(PIPES NOT SUPPLIED WITH PRODUCTS)

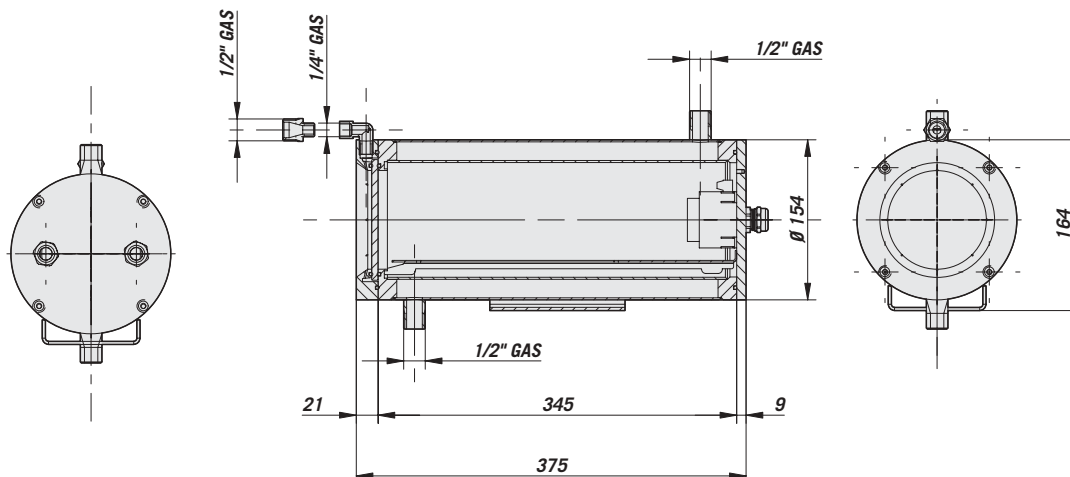


The NXW housing, entirely made of stainless steel, consists of a body with a double chamber for the cooling liquid circulation, enclosed by two thick flanges. Cables pass through the back flange by means of two PG13,5 cable glands, whereas the front flange can be equipped with toughened glass or with Vicor glass for higher temperature. A version with a special Infra Red proof glass is also available. Two 1/2" gas connectors allow the cooling liquid inflow/outflow.

The NXW is equipped with an ONXAB flange designed to create an air barrier in front of the glass. It prevents the formation of dust deposits and attenuates the heat of the glass itself. With the air barrier, the NXFIGRU filter group is recommended, which purifies the air drawn by a compressor. The solid construction of this housing makes it suitable for heavy duty applications, such as the surveillance of ovens, foundries, and other high temperature environments.

MODELS

NXWOK1000	Liquid cooled housing + ONXAB (Glass not included)
NXWOK1025	Liquid cooled housing + ONXAB with IR proof glass



The values are in millimeters.

TECHNICAL DATA

GENERAL

Double chamber body made of stainless steel (Austenitic alloy stainless steel, corrosion and heat-resistant according to the following standards):

- UNI 6900-71: X 2 Cr Ni Mo 17 12
- AISI: 316L
- DIN 17006: X 2 Cr Ni Mo 18 10
- N° WERKSTOFF: 1.4404
- AFNOR: Z2 CND 17-12
- BSI: 316 S 12

The screws utilised are in austenitic alloy stainless steel, corrosion and heat-resistant according to the following standards:

- UNI 6900: X 5 Cr Ni Mo 1712
- AISI: 316,
- ISO quality: A4
- Resistance class ISO: 80
- O-ring gaskets

UNI: Ente Nazionale Italiano di Unificazione, AISI: American Iron and Standard Institute, DIN: Deutsche Industrie Normen, AFNOR: Association Française de Normalisation, BSI: British Standard Institution, ISO: International Organization for Standardization.

MECHANICAL

- 2 PG13,5 cable glands in nickel-plated brass for external connections
- 2 1/2" gas connectors for liquid input/output
- 1 1/4" gas connector for air barrier input
- External dimensions: Ø 154 mm (6.06 in), length 350 mm (13.7 in)
- Internal usable dimensions BxH: 78x78 mm (3.07x3.07 in)

Usable length mm (in):

- Internal usable length: 345 mm (13.58 in)
- Internal usable length with camera power supply: 280 mm (11.02 in)
- Max pressure cooling liquid: 10ATMS
- Window: tempered and Vicor glass thickness 6 mm (0.23 in), IR proof glass thickness 6,6 mm (0.25 in), Ø 95 mm (3.74 in)
- IR proof glass: IR radiation transmitted 21%

NXFIGRU

- Pressure air flow 0,3-2,5 Bar, filter 0,1 micron

ELECTRICAL

Camera power supply:

- ONXPS1 Input 230VAC, 50Hz, output 12VDC, 400mA max
- ONXPS2 Input 230VAC, 50Hz, output 24VAC, 400mA max

ACCESSORIES

- ONXWTG Tempered glass: operating temperature 260°C (500°F), max operating temperature 290°C (554°F), thermal gradient 108°C (226°F)
- ONXWVG Vicor glass*: operating temperature 900°C (1652°F), max operating temperature 1200°C (2192°F), thermal gradient 220°C (428°F)
- ONXAB1025 Air barrier including IR proof glass: operating temperature 260°C (500°F), max operating temperature 290°C (554°F), thermal gradient 108°C (226°F)
- ONXPS1 Camera power supply 230VAC/12VDC
- ONXPS2 Camera power supply 230VAC/24VAC
- NXFIGRU Air filtering

* Max temperature for Vicor glass which allows the housing to be installed in environments with 400°C (752°F), then higher than standard tempered glass.

RELATED PRODUCTS

Brackets:

- NXWBS Stainless Steel wall mount

ENVIRONMENT

- Indoor/outdoor
- Application example with incoming water at 20°C (68°F) temperature: environmental temp. 200°C (392°F), water flow 2 l/min (0.52 gal/min), housing internal temp. 32°C (89.6°F), environmental temp. 300°C (572°F), water flow 2,2 l/min (0.58 gal/min), housing internal temp. 41°C (105.8°F), environmental temp. 400°C (752°F), water flow 6,5 l/min (1.71 gal/min), housing internal temp. 44°C (111°F)

COMPLIANCE TO

- IP67



Unit Weight (kg / lb):
NXW: 10,2 / 22.48

Package Weight (kg / lb):
NXW: 10,8 / 23.8

Package Dimensions (cm / in):
NXW: 24,5x24,5x62 / 9.64x9.64 x24.4

Master Carton (units):
NXW: